

# Automatic open/close rack without electric power

## SGB(Safety Gate Box)

“Safety Gate Box” is an unprecedented warehouse rack with an automatic open/close door which does not use electricity.

The auto-closing door, which moves when a products sits on the shelf, can prevent it from falling down and dropping. As the door uses leverage, the rack system does not require electricity.

You can use it anywhere, anytime.



Our policy is to assist your all safety policy.

**WEIGHT**  
WEIGHT Tokai Co.,Ltd.

# Unprecedented rack system to protect workers and products S G B (Safety Gate Box)

## For safety measurement

SGB can achieve perfect safety measurement due to a protecting door.

## Measurement for earthquakes

SGB can secure evacuating routes for warehouse operators even in the case of an earthquake.

## Forklift friendly

It is easy to access to the rack without touching any switches, and to adjust the load position with tentative unloading.

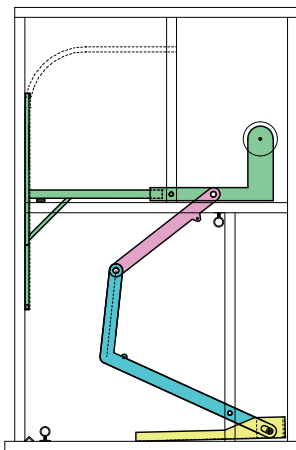
Furthermore, shocks and noises are avoided because the gate opens/closes slowly.

## No electric power requirement

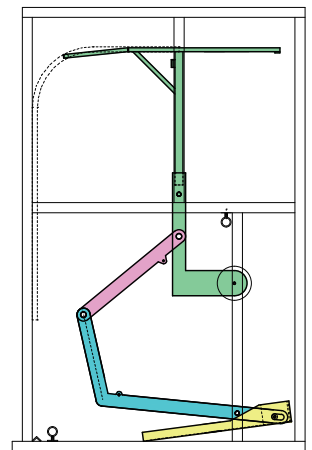
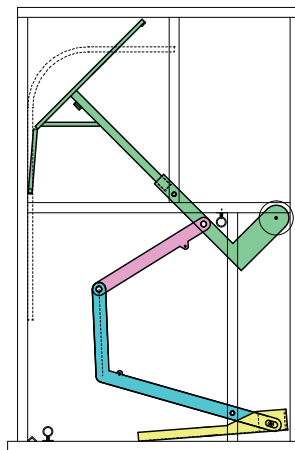
As the door uses leverage, the rack system does not require electricity. You can use it anywhere, anytime. The auto-closing door, which moves when a pallet sits on the shelf, can prevent it from falling down and dropping.

Patent approved

Japan, USA, China, South Korea, Indonesia



Close



Open

## Now on recruiting license partners

We are recruiting partners who make contract with us to roll out "SGB"

**WEIGHT**  
WEIGHT Tokai Co., Ltd.

4-130-1, Yanabe-nakamachi, Handa,  
Aichi, 475-0961  
Japan

YouTube  
SGB Movie



PR Movie



Video used